

Predicting Text Preference Via Structured Comparative Reasoning

Jing Nathan Yan^{1*}, Tianqi Liu², Justin T. Chiu¹, Jiaming Shen², Zhen Qin², Yue Yu^{3*}, Yao Zhao², Charu Lakshmanan², Yair Kurzion², Alexander M. Rush¹, Jialu Liu², Michael Bendersky²

¹ Cornell University, ² Google, ³ Georgia Institute of Technology

Abstract

Comparative reasoning plays a crucial role in predicting text preferences; however, large language models (LLMs) often demonstrate inconsistencies in their reasoning, leading to incorrect preference predictions. While approaches like Chain-of-Thought improve accuracy in many settings, they struggle to consistently distinguish the similarities and differences of complex texts. We introduce SC², a model that prompts LLMs to predict text preferences by generating structured intermediate comparisons. SC² begins by proposing aspects for comparison, followed by generating textual comparisons under each aspect. We select consistent comparisons with a pairwise comparator that ensures each comparison of a given aspect clearly distinguishes differences between texts, significantly reducing hallucination and improving consistency. Our empirical studies across various NLP tasks, including summarization, retrieval, and automatic rating, demonstrate that SC²'s enhanced performance in text preference prediction is significant.

1 Introduction

Comparative reasoning is crucial for predicting text preferences, as deciding the best out of a set of texts requires careful examination of the similarities and differences across the documents. Hence, comparative reasoning has been especially useful in NLP tasks such as text summarization (Yang et al., 2023; Lee et al., 2023), search ranking (Qin et al., 2023), and automatic evaluation (Adlakha et al., 2023), where text preference prediction is a key step.

However, as corpora grow more dense and complex across domains, accurate comparative reasoning becomes increasingly challenging. Existing approaches rely on pretraining or fine-tuning models (Yu et al., 2023a; Iso et al., 2022) at the

cost of massive human annotation and computation. With the emergence of large language models (LLMs) (OpenAI, 2023; Touvron et al., 2023a; Anil et al., 2023; Jiang et al., 2023a), prompting approaches like Chain-of-Thought (CoT) (Wei et al., 2022) offer a promising solution for enhancing comparative reasoning. These approaches leverage LLMs' exceptional language generation capabilities without incurring significant overhead.

Nonetheless, LLMs exhibit arbitrary and erroneous outputs when prompted for comparative reasoning (Adlakha et al., 2023). Specifically, LLMs demonstrate inconsistency in their comparative analyses of texts. Figure 1 (bottom left) provides an example of logically inconsistent LLM reasoning using zero-shot CoT prompting. The LLM's generated explanation initially describes a property as common to the text pair (highlighted in green), but later implies that the same property is a strength of just one of the documents (highlighted in yellow). This inconsistency in the LLM's comparative analysis leads to an incorrect prediction.

To address these challenges, we present SC², a StruCTured Comparative reasoning model that constructs an intermediate structured representation contrasting two text corpora for more accurate text preference prediction, as illustrated in Figure 1. First, SC² proposes a set of aspects from text pairs to guide the comparison step. Second, SC² generates textual comparisons for every aspect. We refer to aspects and comparisons together as intermediate structured representations. To improve the consistency of reasoning (e.g., a contrastive comparison of an aspect should not overlap with a common comparison), SC² adopts approximate inference: SC² samples multiple responses in generative process and uses a pairwise comparator to select the most consistent intermediate structured representation for final preference prediction.

We demonstrate the effectiveness of SC² in improving text preference prediction across various

* Work done during the internship at Google. E-mail: jy858@cornell.edu.

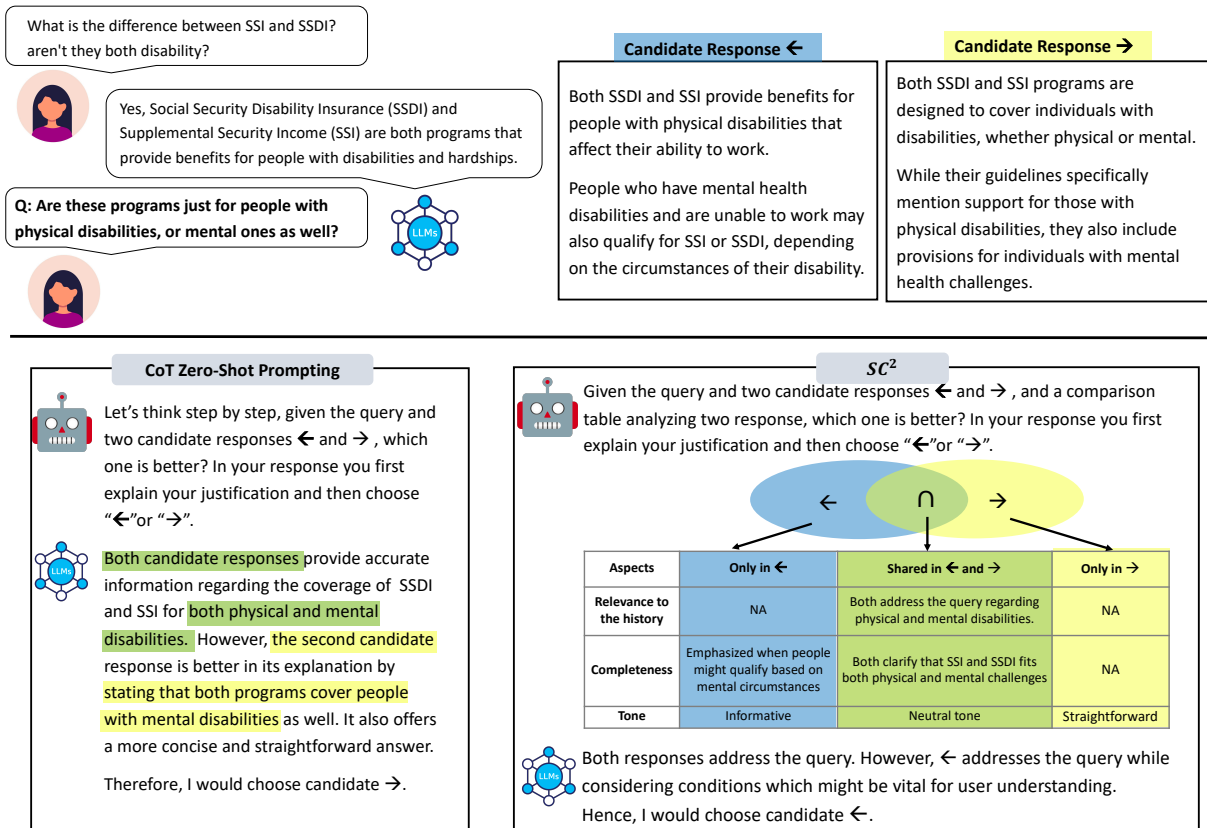


Figure 1: An example illustrating the differences in predicting the text preference between CoT-Zero-Shot prompting and SC^2 . The top portion shows a query between a human and a chatbot, along with two candidate responses ← and →. The table in the middle of the figure presents a structured intermediate representation produced by SC^2 . Small phrases in the first row are *aspects*. *Comparisons* are entries not in the first column or row in the table. The Venn diagram visualizes the atomic comparisons for ← and →.

tasks including text summarization (Stiennon et al., 2020), document retrieval (Soboroff et al., 2018), and helpfulness and harmlessness detection (Bai et al., 2022) with average 2.5 and 7.0 points gain over the top and bottom baselines, respectively.

Our analysis further confirms the effectiveness of SC^2 without incurring expensive LLM usage, and ablation studies emphasize the importance of the pairwise comparator. Our extensive human evaluations also indicate that SC^2 aids in interpretation and assists users in making decisions.

2 Related Work

Prompting Large Language Models LLMs have recently advanced the state-of-the-art performance across many NLP tasks (Anil et al., 2023; OpenAI, 2023; Chowdhery et al., 2022; Touvron et al., 2023a,b; Jiang et al., 2023a). These LLMs have demonstrated the capability to provide chain-of-thought explanations that elucidate their reasoning processes (Wei et al., 2022; Kojima et al., 2022). However, the chain-of-thoughts

generated by LLMs are often arbitrary or contradictory (Wang et al., 2022; Turpin et al., 2023; Chen et al., 2023; Dhuliawala et al., 2023), unfaithful to the facts (Lyu et al., 2023, 2024) or lacking robustness to rephrased questions. To mitigate these issues, several works aim to leverage consistency-based (Wang et al., 2023; Zhou et al., 2022), or verification-based approaches (Ling et al., 2023; Lyu et al., 2024) to improve the reasoning capacity of LLMs, yet the benefit of such additional techniques are still ambivalent (Huang et al., 2023). Furthermore, all these advanced techniques still concentrate on processing raw-text inputs, thereby overlooking the integration of structural information. Moreover, they lack implementations of explicit consistency constraints, which is crucial for maintaining logical coherence in generated outputs.

Comparative Reasoning and Summarization

Comparative reasoning involves comparing and contrasting different documents (Yu et al., 2023a), which has applications for a broad range of NLP tasks including text ranking (Jiang et al., 2023b;

Qin et al., 2023), reward modeling (Ouyang et al., 2022; Lee et al., 2023; ?) and automatic text generation evaluation (Liu et al., 2023a). Initial explorations focused on mining comparative content from text corpora (Jindal and Liu, 2006; Li et al., 2010). More recent studies have developed models for generating comparative text, including generating arguments for answering comparative questions (Chekalina et al., 2021; Amplayo et al., 2021) and summarizing comparative opinions (Iso et al., 2022). Additionally, Zhong et al. (2022, 2023) prompt LLM to describe the differences between two text distributions in natural language and Dunlap et al. (2023) further extends to discover differences given a set of images from ImageNet.

One challenge of directly prompting LLMs for comparative reasoning is that the input text often contains a mixture of diverse patterns. As such, it is crucial to incorporate fine-grained aspects to guide LLMs for generating more comprehensive summarizations (Sun et al., 2023; Xu et al., 2023; Wu et al., 2023; Yu et al., 2023b). Early works (Lin and Hovy, 2000; Titov and McDonald, 2008) used clustering or topic modeling to identify aspects in documents. Lekhtman et al. (2021) fine-tune a pretrained language model for aspect extraction, which relies on manual labeling of comparative data. On the other hand, Goyal et al. (2022); Yang et al. (2023) leverage LLMs to perform summarization with the fixed aspects provided by humans. Differently, we leverage LLMs to automatically discover aspects to guide comparative reasoning, which provides a flexible way to incorporate fine-grained task-relevant signals while requiring minimal labeling efforts.

3 Methods

Our model, SC², produces comparative reasoning for text preference prediction that applies to densely written texts, generalizes to multiple domains, and ensures consistency. In this section, we give the generative process and inference procedure for SC². Our primary focus is ensuring the comparisons consistently distinguish similarities and differences between texts.

3.1 Generative Process

The generative process has three steps. First, given a text pair, SC² simplifies the task by delineating a set of aspects, as depicted in Figure 1. These aspects, consisting of concise phrases, enable the structured comparison between the texts. Second,

SC² produces concise comparisons, aspect-focused comparative statements that clearly express how the texts are similar and different. In this paper, we implement this explicit consistency mechanism: similarities identified as shared between the text pair should not overlap with what’s unique to each of them. Given the aspects and comparisons, the final step predicts which text is preferred.

Formally, for a text pair problem, we denote the text pair as \leftarrow and \rightarrow , along with a query. SC² has three components: Aspects $a = \{a_1, a_2, \dots, a_n\}$, comparisons $c = \{c_1, c_2, \dots, c_n\}$, and text preferences $y \in \{\leftarrow, \rightarrow\}$. The comparison c has three columns: $\{c_i^{\leftarrow}, c_i^{\rightarrow}, c_i^{\cap}\}$, c_i^{\rightarrow} and c_i^{\leftarrow} refers to properties exclusive to \rightarrow and \leftarrow respectively, and c_i^{\cap} to properties shared by both texts.

SC² follows the following generative process: First, it generates the aspects conditioned on the text using an *aspect model*, $P(a)$. Second, comparisons for each aspect are generated from the comparison model

$$P(c|a) \propto \prod_i l(c_i) \times P(c_i|c_{<i}, a)$$

where the function $l : C \rightarrow \mathbb{R}^+$ evaluates the consistency of c_i . A higher value of $l(c_i)$ indicates a greater degree of consistency. Finally, preference model $P(y|c, a)$ produces the preference label y .

Parameterization We use LLMs with specific prompts to parameterize each model. With LLMs generating reliable scalar values of consistency is unreliable (Imani et al., 2023; Liu et al., 2023b). Instead of directly regressing a consistency score, we rely on pairwise comparisons, which have been observed to be more reliable (Qin et al., 2023). We define a pairwise comparator $l'(c, c') = \mathbb{1}(l(c) \geq l(c'))^1$, which takes a pair of comparisons (c, c') and determines the more consistent one.

To facilitate this, we recruit experts to develop few-shot prompts that demonstrate a direct comparison of two structured representations based on consistency within itself. We guide our annotators to assess pairs (c, c') against consistency criteria, emphasizing that elements of the comparison should ideally exhibit no overlap. Detailed instructions are attached in the Appendix.

3.2 Tournament-based Inference

Given the generative model, the goal of inference is to produce aspects and comparisons that are high

¹We break the tie randomly.

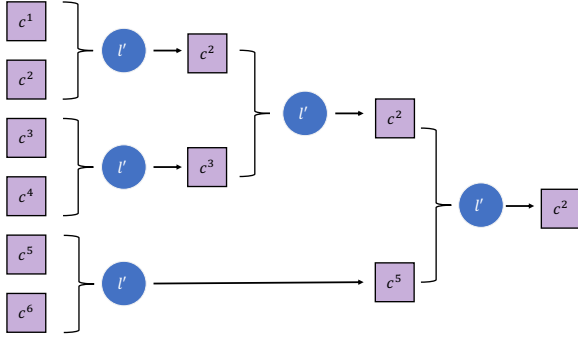


Figure 2: Illustration of tournament inference. Given a set of samples, $C = \{c^1, c^2, c^3, c^4, c^5, c^6\}$, the tournament approach randomly partitions them into three groups in the first round, and each two is paired as input to l' and output from l' will be entering the next round. In this way, we only need to use l' 5 times.

probability under the model and consistent. We take a step-wise approach, choosing aspects, comparisons, and then finally predicting preferences.

When choosing aspects, we follow prior work by employing a variety of sampling strategies to obtain near-optimal aspects a^* from $P(a)$ (Wang et al., 2023; Amplayo et al., 2021). We provide more details on these strategies in Section 4.

Given aspects a^* , our next goal is to find comparisons that are likely under the comparison model $\arg \max_c P(c|a^*) = \arg \max_c l(c) \cdot P(c|a^*)$. There are two challenges with this objective: First, the set of possible comparisons is intractably large. Second, the consistency function $l(c)$ is unreliable. We approach the first challenge by sampling a set C of high probability comparisons from $P(c|a)$, and the second challenge by selecting the most consistent comparison by applying the pairwise consistency comparator $l'(c, c')$ in a binary reduction. Formally, we select the most consistent comparison by optimizing

$$c^* = \arg \max_{c \in C} \sum_{c' \in C \setminus \{c\}} l'(c, c').$$

Naively, this optimization problem above requires $O(|C|^2)$ pairwise comparisons to optimize exactly.

To reduce the number of pairwise comparisons, we utilize a tournament approach that performs $O(|C|)$ comparisons. The tournament approach utilizes a binary reduction: Each step of the binary reduction takes a pair of comparisons and eliminates the less logically consistent one into the successive rounds. We illustrate the tournament

approach in Figure 2. The naive and tournament approaches are equivalent if transitivity holds in the consistency comparator $l'(c, c')$. In practice, transitivity does not always hold with LLM parameterizations, resulting in the tournament approach trading off accuracy for efficiency.

Finally, with structured intermediate representation (a^*, c^*) , SC^2 decides between \leftarrow, \rightarrow which one is preferred by taking $\arg \max P(y|a^*, c^*)$.

4 Experimental Setup

Aspect Model We experiment with two models for generating aspects: the online aspect model and the offline aspect model. Both models use PaLM-2-L to obtain aspects.

The online aspect model dynamically generates aspects using the CoT paradigm (Adlakha et al., 2023) to deduce aspects based on text inputs and applies self-consistency (Wang et al., 2023) to select the most agreeable aspect for each text pair. However, this model is costly due to the extensive use of LLM API calls for every pair of tasks.

The offline aspect model extracts aspects from a collection of text corpora, adapting the concept from Pang et al. (2021) but employing LLMs. Specifically, this model prompts an LLM to extract aspects from each text within the collected corpora (50 pairs of texts for each task in this paper). It then prompts an LLM to refine and consolidate all generated aspects. Finally, we identify five fixed aspects as to use directly for any text pair of one task. This aspect model significantly reduces costs by allowing offline refinement of aspects. Refined aspects are fixed, thus they can be directly used without any additional expense.

In our experimental studies, we report only the best results for both baselines and in this section. To understand the impact of the aspect model, we detail its effects in our analysis section.

Comparison Model We use PaLM-2-L as the major LLM backbone of comparison model of SC^2 to produce intermediate structured representations.

Preference Model For the final text preference prediction model, we experiment with two other LLM backbones differing in their model capacity. We aim to prove that the intermediate structured representations produced by SC^2 with PaLM-2-L can help any backbone LLMs to predict text preference more accurately, regardless of their capacity. Specifically, we have used OpenAI’s GPT-3.5, and

GPT-4 (OpenAI, 2023) in our experiments.

Prompting Templates Prompts used in different models can be found in our Appendix. Note that we do not tailor the preference model’s prompts; instead, we adapted the templates from Rafailov et al. (2023) for a fair comparison across baselines².

Hyperparameters As SC² searches for the best comparisons during the inference stage, as a result, we have a hyperparameter $|C|$, referring to the number of samples generated by the comparison model. $|C|$ is an important parameter that might affect the quality of the intermediate structured representation produced by . For the reported results in this section, we set $|C| = 8$. We study the influence of this hyperparameter in Sec 6.

Baselines For evaluation, we consider several baselines, primarily focused on the LLM-based prompting approaches. Below is a detailed overview of these baselines:

- (1) *Direct Prompting (DP)*: This method directly prompts LLMs to predict text preference.
- (2) *DP w/Aspects*: This approach is a variation of DP. The difference is that DP w/Aspects incorporates aspects generated by the aspect models.
- (3) *CoT-0-shot*: This baseline utilizes a standard CoT-0-shot template for task preference prediction (with "let’s think step by step"). More details of the prompt template are available in the appendix.
- (4) *CoT-1-shot*: In addition to zero-shot prompting, we also carry out experiments using a 1-shot example within the CoT paradigm. For that purpose, we craft our 1-shot examples across different datasets.
- (5) *CoT-SelfCon*: This baseline integrates self-consistency to CoT-0-shot baseline aiming to remove the arbitrariness.

Specifically, CoT-SelfCon first samples multiple responses from an LLM using the same prompt and text pair input. Subsequently, CoT-SelfCon aggregates all responses to identify the most frequent answer. In our experimental studies, we set the number of sample responses to 8 and use a majority vote to determine the desired response, randomly selecting a response in the event of a tie.

Datasets (1) **TL;DR (Stiennon et al., 2020)**: We use OpenAI’s filtered Reddit and CNN/Daily Mail TL;DR dataset. OpenAI also created a preference

²In the original DPO paper (Rafailov et al., 2023), the authors did not use the Anthropic-Harmless dataset, we adapted their templated for Harmless datasets.

Dataset	# Samples	Avg. Length
TL;DR-CNN/DM	256	572
TL;DR-Reddit	259	362
Antropic-Helpful	250	102
Antropic-Harmless	249	93
TREC News	291	947
AVG	278	433

Table 1: Statistics of Datasets in Experimental Studies

dataset from this, where labelers rated two generated summaries per post. For the CNN/Daily Mail part, for a given piece of news, we extracted two graded summaries and used the overall score to create the label. More details can be found in the original paper.

(2) **RLAIF-HH (Bai et al., 2022)**: The RLAIF-HH from Anthropic dataset comprises dialogues from interactions between crowdworkers and large language models. In these exchanges, workers either seek assistance or provoke potentially harmful responses from the AI. The responses are then labeled based on their helpfulness or harmfulness.

(3) **TREC News (Soboroff et al., 2018)**: The TREC News dataset contains query-document pairs focused on ad-hoc ranking and filtering tasks from the late 1980s to early 2000s. We modify the dataset as follows for preference prediction: for a given query, we extract two document answers to construct the triplet and use the relevance score provided by the original dataset to decide which document is more preferred.

Dataset Sampling As datasets that have been used in the past are in large volumes, we only sampled a small ratio of them due to the cost of running all experiments. We sample roughly 250-300 data points from each dataset uniformly. More details of the sampled dataset can be found in Table 1

Metrics We report the accuracy of all approaches in our experiment ($\frac{\text{Correctly Predicted Instances}}{\text{All Instances}}$) to measure the performance.

5 Results

Experimental results in Table 2 demonstrate SC²’s strong performance across all evaluation domains, with average gains of ~ 2.5 and ~ 7.0 points over the top and bottom baselines respectively. This confirms the benefits of structured comparative reasoning for enhanced text preference prediction. Using structured intermediate representations produced

Preference Model	Comparison Model	TLDR			RLAIF			Document Ranking TREC News
		Reddit	CNN/DM	AVG	Helpful	Harmless	AVG	
GPT-3.5	DP	62.89	61.39	62.14	58.40	58.15	58.27	44.36
	DP w/Aspects	62.50	62.55	62.52	59.20	53.72	56.46	46.18
	CoT-0-shot	63.67	64.48	64.08	59.00	56.94	57.97	47.64
	CoT-1-shot	64.06	63.71	63.88	59.20	58.55	58.88	50.18
	CoT-SelfCon	64.92	63.32	64.12	60.60	58.75	59.68	50.55
	SC ²	68.36	68.34	68.55	63.20	59.76	61.49	52.95
GPT-4	DP	66.41	64.86	65.63	62.60	58.85	60.58	52.00
	DP w/Aspects	65.63	65.25	65.44	60.60	60.97	60.78	55.64
	CoT-0-shot	68.75	68.34	68.54	63.00	60.56	61.78	59.64
	CoT-1-shot	69.92	69.50	69.71	63.80	60.16	61.98	61.09
	CoT-SelfCon	71.67	69.12	69.90	64.00	60.76	62.38	61.82
	SC ²	73.83	70.65	72.25	66.60	62.98	64.79	64.73

Table 2: Experimental results of SC² across different datasets in three different domains. DP refers to direct prompting. We use accuracy to measure the performance and report averaged the results from 5 rounds.

by SC², the preference prediction model better handles these comparative reasoning difficulties.

Moreover, we observe the input length as an additional factor impacting performance. For instance, the TREC News dataset comprises considerably longer texts than other corpora. Here, the DP method lags behind SC² by over 9 points, compared to the average 7 point deficit across baselines. Though input length serves as an imperfect proxy for complexity, the results also signaled the potential benefit of using our method for longer inputs.

We also want to point out that SC² could be further improved by coupling with some of the existing general prompting techniques, for example, self-consistency (Wang et al., 2023) and self-verification (Madaan et al., 2023).

6 Analysis

To further understand the benefit of using SC² to produce an intermediate structured representation, in this section, we conduct ablation studies and in-depth analysis. We also implement a user study to explore the potential of using SC² to inform human beings’ decisions.

6.1 Effectiveness of Pairwise Comparator

To calibrate the effective gain arising from the pairwise comparator l' , we first compare variants of SC² with the comparators and those with different hyperparameter configurations of SC². We use different intermediate structured representations

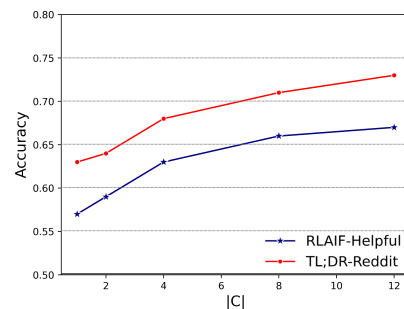


Figure 3: Impact of # samples $|C|$ in SC².

produced by variants of SC² to predict the text preference. Results are shown in Figure 3.

With $|C| = 1$, where there is effectively no pairwise comparator l' , the performance of the preference model was found to be comparable to baseline results shown in Table 2. This suggests that inconsistent structured representations could potentially degrade the performance of the preference model. An increase in accuracy was observed with larger values of $|C|$, indicating the benefits of pairwise comparator. However, this improvement plateaued when $|C|$ exceeded 8, hinting at a potential ceiling effect for our approach, irrespective of further increases in $|C|$.

6.2 Impact of Different Aspect Models

To understand the effect of different aspect models, we conduct ablation studies comparing the baseline that used aspects and SC² with aspect models proposed in our experimental study.

Table 3 presents the results. It shows that SC²

Preference Model	Aspect Model	Model	TLDR		RLAIF		Document Ranking TREC News
			Reddit	CNN/DM	Helpful	Harmless	
GPT3.5	Online	DP w/Aspects	62.89	62.16	59.20	53.72	46.18
	Online	SC ²	67.97	67.95	63.00	59.15	53.09
	Offline	DP w/Aspects	62.50	62.55	58.80	53.32	44.96
	Offline	SC ²	68.36	68.34	63.20	59.76	53.09
GPT4	Online	DP w/Aspects	65.63	63.32	60.40	60.97	54.81
	Online	SC ²	73.05	70.27	66.00	62.37	63.81
	Offline	DP w/Aspects	64.84	65.25	60.60	59.76	55.64
	Offline	SC ²	73.83	70.65	66.60	62.98	64.73

Table 3: Calibration of different aspect models. Online refers to Online Aspect Model, and Offline refers to Offline Aspect Model. DP w/Aspects refers to Direct Prompting with Aspects.

Total LLM calls	8	15	24
SC ²	0.682	0.738	0.750
CoT-SelfCon	0.678	0.728	0.730

Table 4: Accuracy of text preference prediction of SC² against CoT-SelfCon with the same # of LLM calls.

with the offline aspect model consistently outperforms or performs as well as SC² with the online aspect model. However, for the DP w/Aspects baseline, neither the online nor the offline aspect model demonstrates superiority over the other. This indicates that SC² does not require online LLM calls which dynamically generate aspects and can effectively utilize the offline aspect model to obtain aspects for the given task at pretty low cost.

6.3 Cost Analysis of SC² and Few-shot CoT-SelfCon

As discussed in our experimental study, CoT-SelfCon has no pairwise comparator components, resulting in lower LLM usage. On the other hand, in our primary experimental studies, we utilize PaLM-2-L to create intermediate structured representations and other LLM for preference prediction to avoid potential overfitting. In contrast, the CoT-SelfCon baseline consistently employs the same LLM (GPT-4) all the way.

To ensure a fair comparison and eliminate biases that might arise from using different LLMs and # total LLM calls, we only use GPT-4 for both SC² and CoT-SelfCon in this analysis. We use a fixed number of total LLM calls, including the generation of intermediate structured representations and

the final preference prediction. We limit our experiments to a single dataset with 100 samples and average the results over 5 rounds for the cost consideration. The results are shown in Table 4. Our analysis indicates that with the same # total LLM calls and the same LLM backbone, SC² predicts preference consistently more accurately.

Furthermore, we evaluate against few-shot CoT-SelfCon, commonly regarded as a strong baseline. Given that SC² is in a zero-shot setting in our experiments, for a fair comparison, we compare few-shot SC² with few-shot CoT-SelfCon, varying # LLM calls and # few-shot examples. We limit # few-shot examples to 5. This makes sure the context length is within the LLM’s length window.

Results are shown in Table 5. When the total LLM calls are low, CoT-SelfCon maintains a slight advantage over SC². However, as the number of LLM calls increases, SC² consistently outperforms few-shot CoT-SelfCon with the margin widening. This trend is attributed to the necessity for pairwise comparators to produce logically consistent intermediate-structured representations, leading to more accurate predictions.

6.4 Efficiency of Tournament Approach

We study the efficiency and effectiveness of the tournament approach w.r.t. other inference methods. Random Selection refers to the process of randomly selecting one sample from C during the inference stage, while Exact Search involves running all possible comparisons, which takes $O(n^2)$. We measure the cost using the total input length and the number of LLM calls, as this is common practice for the actual cost calculation in commer-

Total LLM calls	# Few-shot Examples	CoT-SelfCon	SC ²
8	3	0.678	0.672
	5	0.694	0.685
15	3	0.718	0.733
	5	0.742	0.756
24	3	0.778	0.797
	5	0.796	0.812

Table 5: Accuracy of text preference prediction of few-shot SC² against few-shot CoT-SelfCon with the same number of LLM calls.

	Random Selection	Tournament Scheme	Exact Search
# LLM calls	1	7	56
Decoded Len	372	2,651	13,272
Accuracy	0.63	0.71	0.73

Table 6: Cost and accuracy analysis of different inference approach of SC².

cial Large Language Models (LLMs). We used the same dataset from the previous subsection.

We find a significant gap between the Random Selection approach and the other two approaches as shown in Table 6. Although Exact Search yields the best results, it requires 4 times the token length and 49 more LLM calls, potentially leading to a substantial increase in cost.

6.5 Human Evaluation

We conduct additional human evaluations to see how the intermediate structured representations produced by SC² inform human decision-making.

Annotators We recruit our annotators from an internal pool. Demographic and geographic characteristics of the annotator population are not accessible to our researchers. Information can be used to identify annotators that are fully anonymized. Consent forms have to be signed by annotators to take part in this study.

Study Design In consideration of ethical standards and the requirement to avoid directly testing annotators, we structure our human evaluation as follows: Annotators are presented with a query alongside a pair of text options, denoted as (\leftarrow , \rightarrow). They determine which text, either \leftarrow or \rightarrow , is preferable. They have three options: \leftarrow is

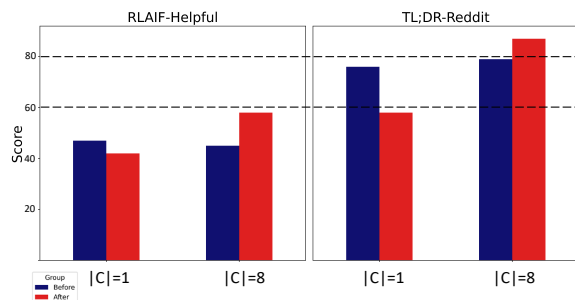


Figure 4: Human evaluation on structured representation produced by different settings of SC².

better, \rightarrow is better, and tie. Following their initial decision, annotators are then shown the intermediate structured representations generated by different variants of SC². They decide if this additional information leads them to reconsider their initial choice and provide reasons for any change in their decision. This evaluation process uses two variants of SC²: $|C| = 1$ and $|C| = 8$ respectively. For ethical considerations, we only experiment with RLAIF-helpfulness and TL;DR-Reddit, ensuring the content is not harmful or violent manually. We instantiate 100 data points for each dataset and assign each question to three annotators. We collect 96 and 98 questions with useful responses from all three annotators for RLAIF-helpful and TL;DR-Reddit respectively.

Metrics We use the ground truth to gather the scores: we assign 1 for any correct answer, 0 for a tie, and -1 for any other incorrect answers.

Findings As shown in Figure 4, with the aid of more consistent intermediate structured representations ($|C| = 8$), annotators are inclined to revise and flip their previous wrong answers to correct ones. This suggests that the intermediate structured representation may facilitate better decision-making among human evaluators. However, we also observe that intermediate structured representations without using a pairwise comparator ($|C| = 1$) could mislead annotators, deterring them from selecting the correct preference. This amplifies the importance of the pairwise comparator to ensure consistency.

We also look into quantitative justifications provided by annotators. Most annotators stated that intermediate structured representations helped them better understand two texts. One mentioned, "the table gives the concise comparison", while another pointed out, "this [table]

helped me to understand better the implications of the two answers, and I changed my mind after reading [the table]". Besides, we also observe complaints about the intermediate structured representations being hallucinatory and not factual. The issue is more noticeable in cases where the structured representation is produced by SC² without a pairwise comparator. This suggests that enforcing a pairwise comparator might mitigate the arbitrariness of LLM's output for better consistency, but still poses the risk of presenting hallucinated results to annoators.

7 Conclusion

This paper presents SC², a structured comparative reasoning model for improving text preference prediction. SC² constructs intermediate structured representations to explicitly contrast text pairs, incorporating a consistency comparator to enhance accuracy and coherence. Comprehensive experiments across text summarization, retrieval, and response rating tasks demonstrated that SC² significantly improves consistency and achieves state-of-the-art performance. Analyses confirm the effectiveness of SC²'s structured reasoning approach and consistency enforcement. Our human evaluations show that SC² interpretations can assist users in making informed decisions.

8 Limitations

This work has several limitations that provide opportunities for future investigation. First, the evaluation was conducted on a sample set of datasets that, while spanning diverse domains, might not fully characterize the breadth of real-world textual comparison needs. Expanding SC²'s testing to larger, multilingual corpora is essential to assess its full potential and limitations beyond English. Furthermore, there are likely upper bounds on SC²'s effectiveness imposed by the reasoning capacity of the underlying language model backbone. As more advanced LLMs emerge, exploring their integration could help quantify this ceiling effect. On a technical level, in this paper, measuring consistency relies on approximate metrics, so developing more rigorous evaluation schemes could better highlight SC²'s benefits. We also do not include other prompting techniques that have been well-studied in the community, which we leave for future work.

9 Ethical Considerations

This research paper might risk potential biases that could arise from textual comparisons, particularly around sensitive attributes. SC² is trained on established corpora like Wikipedia and books that may inherently contain societal biases. While a full analysis of these biases is beyond the scope here, we acknowledge the risk that SC² may inherit problematic biases from its training data. Applying recent advancements in language bias detection to SC² could help quantify and mitigate these risks. We are interested in exploring this as part of future work. Furthermore, this research focused solely on English; extending to other languages is an important direction that would require non-trivial adaptation. Overall, while showing promise, SC² has significant scope for improvement as limitations around evaluation, multilingual capabilities, consistency measurement, bias, and applied usage are addressed through future work.

Acknowledgement

We thank Pengcheng Yin, Ethan Liang, Wenting Zhao, Celine Lee, Woojeong Kim, Jack Morris, and Junxiong Wang for their valuable suggestions and feedback. J.NY and AMR are supported by NSF CAREER #2037519, NSF III:#1901030, and NSF #2229873.

References

- Vaibhav Adlakha, Parishad BehnamGhader, Xing Han Lu, Nicholas Meade, and Siva Reddy. 2023. [Evaluating correctness and faithfulness of instruction-following models for question answering](#). *ArXiv preprint*, abs/2307.16877.
- Reinald Kim Amplayo, Stefanos Angelidis, and Mirella Lapata. 2021. [Aspect-controllable opinion summarization](#). In *Proc. of EMNLP*, pages 6578–6593, Online and Punta Cana, Dominican Republic. Association for Computational Linguistics.
- Rohan Anil, Andrew M Dai, Orhan Firat, Melvin Johnson, Dmitry Lepikhin, Alexandre Passos, Siamak Shakeri, Emanuel Taropa, Paige Bailey, Zhifeng Chen, et al. 2023. [Palm 2 technical report](#). *ArXiv preprint*, abs/2305.10403.
- Yuntao Bai, Andy Jones, Kamal Ndousse, Amanda Askell, Anna Chen, Nova DasSarma, Dawn Drain, Stanislav Fort, Deep Ganguli, Tom Henighan, et al. 2022. [Training a helpful and harmless assistant with reinforcement learning from human feedback](#). *ArXiv preprint*, abs/2204.05862.

- Viktoriia Chekalina, Alexander Bondarenko, Chris Biemann, Meriem Beloucif, Varvara Logacheva, and Alexander Panchenko. 2021. [Which is better for deep learning: Python or MATLAB? answering comparative questions in natural language](#). In *Proceedings of the 16th Conference of the European Chapter of the Association for Computational Linguistics: System Demonstrations*, pages 302–311, Online. Association for Computational Linguistics.
- Yanda Chen, Ruiqi Zhong, Narutatsu Ri, Chen Zhao, He He, Jacob Steinhardt, Zhou Yu, and Kathleen McKeown. 2023. [Do models explain themselves? counterfactual simulatability of natural language explanations](#). *ArXiv preprint*, abs/2307.08678.
- Aakanksha Chowdhery, Sharan Narang, Jacob Devlin, Maarten Bosma, Gaurav Mishra, Adam Roberts, Paul Barham, Hyung Won Chung, Charles Sutton, Sebastian Gehrmann, et al. 2022. [Palm: Scaling language modeling with pathways](#). *ArXiv preprint*, abs/2204.02311.
- Shehzaad Dhuliawala, Mojtaba Komeili, Jing Xu, Roberta Raileanu, Xian Li, Asli Celikyilmaz, and Jason Weston. 2023. [Chain-of-verification reduces hallucination in large language models](#). *ArXiv preprint*, abs/2309.11495.
- Lisa Dunlap, Yuhui Zhang, Xiaohan Wang, Ruiqi Zhong, Trevor Darrell, Jacob Steinhardt, Joseph E Gonzalez, and Serena Yeung-Levy. 2023. [Describing differences in image sets with natural language](#). *arXiv preprint arXiv:2312.02974*.
- Tanya Goyal, Junyi Jessy Li, and Greg Durrett. 2022. [News summarization and evaluation in the era of gpt-3](#). *ArXiv preprint*, abs/2209.12356.
- Jie Huang, Xinyun Chen, Swaroop Mishra, Huaixiu Steven Zheng, Adams Wei Yu, Xinying Song, and Denny Zhou. 2023. [Large language models cannot self-correct reasoning yet](#). *ArXiv preprint*, abs/2310.01798.
- Shima Imani, Liang Du, and Harsh Shrivastava. 2023. [Mathprompter: Mathematical reasoning using large language models](#). *ArXiv preprint*, abs/2303.05398.
- Hayate Iso, Xiaolan Wang, Stefanos Angelidis, and Yoshihiko Suhara. 2022. [Comparative opinion summarization via collaborative decoding](#). In *Findings of the Association for Computational Linguistics: ACL 2022*, pages 3307–3324, Dublin, Ireland. Association for Computational Linguistics.
- Albert Q Jiang, Alexandre Sablayrolles, Arthur Mensch, Chris Bamford, Devendra Singh Chaplot, Diego de las Casas, Florian Bressand, Gianna Lengyel, Guillaume Lample, Lucile Saulnier, et al. 2023a. [Mistral 7b](#). *arXiv preprint arXiv:2310.06825*.
- Dongfu Jiang, Xiang Ren, and Bill Yuchen Lin. 2023b. [LLM-blender: Ensembling large language models with pairwise ranking and generative fusion](#). In *Proc. of ACL*, pages 14165–14178, Toronto, Canada. Association for Computational Linguistics.
- Nitin Jindal and Bing Liu. 2006. [Identifying comparative sentences in text documents](#). In *Proceedings of the 29th annual international ACM SIGIR conference on Research and development in information retrieval*, pages 244–251.
- Takeshi Kojima, Shixiang Shane Gu, Machel Reid, Yutaka Matsuo, and Yusuke Iwasawa. 2022. [Large language models are zero-shot reasoners](#). *Advances in neural information processing systems*, 35:22199–22213.
- Harrison Lee, Samrat Phatale, Hassan Mansoor, Kellie Lu, Thomas Mesnard, Colton Bishop, Victor Carbone, and Abhinav Rastogi. 2023. [Rlaif: Scaling reinforcement learning from human feedback with ai feedback](#). *ArXiv preprint*, abs/2309.00267.
- Entony Lekhtman, Yftah Ziser, and Roi Reichart. 2021. [DILBERT: Customized pre-training for domain adaptation with category shift, with an application to aspect extraction](#). In *Proc. of EMNLP*, pages 219–230, Online and Punta Cana, Dominican Republic. Association for Computational Linguistics.
- Shasha Li, Chin-Yew Lin, Young-In Song, and Zhoujun Li. 2010. [Comparable entity mining from comparative questions](#). In *Proc. of ACL*, pages 650–658, Uppsala, Sweden. Association for Computational Linguistics.
- Chin-Yew Lin and Eduard Hovy. 2000. [The automated acquisition of topic signatures for text summarization](#). In *COLING 2000 Volume 1: The 18th International Conference on Computational Linguistics*.
- Zhan Ling, Yunhao Fang, Xuanlin Li, Zhiao Huang, Mingu Lee, Roland Memisevic, and Hao Su. 2023. [Deductive verification of chain-of-thought reasoning](#). *ArXiv preprint*, abs/2306.03872.
- Yang Liu, Dan Iter, Yichong Xu, Shuhang Wang, Ruochen Xu, and Chenguang Zhu. 2023a. [Gpteval: Nlg evaluation using gpt-4 with better human alignment](#). *ArXiv preprint*, abs/2303.16634.
- Yixin Liu, Avi Singh, C Daniel Freeman, John D Co-Reyes, and Peter J Liu. 2023b. [Improving large language model fine-tuning for solving math problems](#). *ArXiv preprint*, abs/2310.10047.
- Qing Lyu, Marianna Apidianaki, and Chris Callison-Burch. 2024. [Towards faithful model explanation in nlp: A survey](#). *Computational Linguistics*, pages 1–70.
- Qing Lyu, Shreya Havaldar, Adam Stein, Li Zhang, Delip Rao, Eric Wong, Marianna Apidianaki, and Chris Callison-Burch. 2023. [Faithful chain-of-thought reasoning](#). *arXiv preprint arXiv:2301.13379*.
- Aman Madaan, Niket Tandon, Prakhar Gupta, Skyler Hallinan, Luyu Gao, Sarah Wiegrefe, Uri Alon, Nouha Dziri, Shrimai Prabhumoye, Yiming Yang, et al. 2023. [Self-refine: Iterative refinement with self-feedback](#). *ArXiv preprint*, abs/2303.17651.

- OpenAI. 2023. [GPT-4 technical report](#). *ArXiv preprint*, abs/2303.08774.
- Long Ouyang, Jeffrey Wu, Xu Jiang, Diogo Almeida, Carroll Wainwright, Pamela Mishkin, Chong Zhang, Sandhini Agarwal, Katarina Slama, Alex Ray, et al. 2022. Training language models to follow instructions with human feedback. *Advances in Neural Information Processing Systems*, 35:27730–27744.
- Richard Yuanzhe Pang, Adam Lelkes, Vinh Tran, and Cong Yu. 2021. [AgreeSum: Agreement-oriented multi-document summarization](#). In *Findings of the Association for Computational Linguistics: ACL-IJCNLP 2021*, pages 3377–3391, Online. Association for Computational Linguistics.
- Zhen Qin, Rolf Jagerman, Kai Hui, Honglei Zhuang, Junru Wu, Jiaming Shen, Tianqi Liu, Jialu Liu, Donald Metzler, Xuanhui Wang, et al. 2023. [Large language models are effective text rankers with pairwise ranking prompting](#). *ArXiv preprint*, abs/2306.17563.
- Rafael Rafailov, Archit Sharma, Eric Mitchell, Stefano Ermon, Christopher D Manning, and Chelsea Finn. 2023. [Direct preference optimization: Your language model is secretly a reward model](#). *ArXiv preprint*, abs/2305.18290.
- Ian Soboroff, Shudong Huang, and Donna Harman. 2018. Trec 2018 news track overview.
- Nisan Stiennon, Long Ouyang, Jeffrey Wu, Daniel M. Ziegler, Ryan Lowe, Chelsea Voss, Alec Radford, Dario Amodei, and Paul F. Christiano. 2020. [Learning to summarize with human feedback](#). In *Advances in Neural Information Processing Systems 33: Annual Conference on Neural Information Processing Systems 2020, NeurIPS 2020, December 6-12, 2020, virtual*.
- Zhiqing Sun, Yikang Shen, Qinhong Zhou, Hongxin Zhang, Zhenfang Chen, David Cox, Yiming Yang, and Chuang Gan. 2023. [Principle-driven self-alignment of language models from scratch with minimal human supervision](#). In *Thirty-seventh Conference on Neural Information Processing Systems*.
- Ivan Titov and Ryan T. McDonald. 2008. [Modeling online reviews with multi-grain topic models](#). In *Proceedings of the 17th International Conference on World Wide Web, WWW 2008, Beijing, China, April 21-25, 2008*, pages 111–120. ACM.
- Hugo Touvron, Thibaut Lavril, Gautier Izacard, Xavier Martinet, Marie-Anne Lachaux, Timothée Lacroix, Baptiste Rozière, Naman Goyal, Eric Hambro, Faisal Azhar, et al. 2023a. [Llama: Open and efficient foundation language models](#). *ArXiv preprint*, abs/2302.13971.
- Hugo Touvron, Louis Martin, Kevin Stone, Peter Albert, Amjad Almahairi, Yasmine Babaei, Nikolay Bashlykov, Soumya Batra, Prajwal Bhargava, Shruti Bhosale, et al. 2023b. [Llama 2: Open foundation and fine-tuned chat models](#). *ArXiv preprint*, abs/2307.09288.
- Miles Turpin, Julian Michael, Ethan Perez, and Samuel R. Bowman. 2023. [Language models don't always say what they think: Unfaithful explanations in chain-of-thought prompting](#). In *Thirty-seventh Conference on Neural Information Processing Systems*.
- Boshi Wang, Sewon Min, Xiang Deng, Jiaming Shen, You Wu, Luke Zettlemoyer, and Huan Sun. 2022. [Towards understanding chain-of-thought prompting: An empirical study of what matters](#). In *Annual Meeting of the Association for Computational Linguistics*.
- Xuezhi Wang, Jason Wei, Dale Schuurmans, Quoc V Le, Ed H. Chi, Sharan Narang, Aakanksha Chowdhery, and Denny Zhou. 2023. [Self-consistency improves chain of thought reasoning in language models](#). In *The Eleventh International Conference on Learning Representations*.
- Jason Wei, Xuezhi Wang, Dale Schuurmans, Maarten Bosma, brian ichter, Fei Xia, Ed H. Chi, Quoc V Le, and Denny Zhou. 2022. [Chain of thought prompting elicits reasoning in large language models](#). In *Advances in Neural Information Processing Systems*.
- Zequ Wu, Yushi Hu, Weijia Shi, Nouha Dziri, Alane Suhr, Prithviraj Ammanabrolu, Noah A Smith, Mari Ostendorf, and Hannaneh Hajishirzi. 2023. [Fine-grained human feedback gives better rewards for language model training](#). *ArXiv preprint*, abs/2306.01693.
- Ran Xu, Hejie Cui, Yue Yu, Xuan Kan, Wenqi Shi, Yuchen Zhuang, Wei Jin, Joyce Ho, and Carl Yang. 2023. [Knowledge-infused prompting: Assessing and advancing clinical text data generation with large language models](#). *ArXiv preprint*, abs/2311.00287.
- Xianjun Yang, Yan Li, Xinlu Zhang, Haifeng Chen, and Wei Cheng. 2023. [Exploring the limits of chatgpt for query or aspect-based text summarization](#). *ArXiv preprint*, abs/2302.08081.
- Mengxia Yu, Zhihan Zhang, Wenhao Yu, and Meng Jiang. 2023a. [Pre-training language models for comparative reasoning](#). *ArXiv preprint*, abs/2305.14457.
- Yue Yu, Yuchen Zhuang, Jieyu Zhang, Yu Meng, Alexander Ratner, Ranjay Krishna, Jiaming Shen, and Chao Zhang. 2023b. [Large language model as attributed training data generator: A tale of diversity and bias](#). *ArXiv preprint*, abs/2306.15895.
- Ruiqi Zhong, Charlie Snell, Dan Klein, and Jacob Steinhardt. 2022. [Describing differences between text distributions with natural language](#). In *International Conference on Machine Learning, ICML 2022, 17-23 July 2022, Baltimore, Maryland, USA*, volume 162 of *Proceedings of Machine Learning Research*, pages 27099–27116. PMLR.
- Ruiqi Zhong, Peter Zhang, Steve Li, Jinwoo Ahn, Dan Klein, and Jacob Steinhardt. 2023. [Goal driven discovery of distributional differences via language descriptions](#). *Neural Information Processing Systems*.

Denny Zhou, Nathanael Schärli, Le Hou, Jason Wei,
Nathan Scales, Xuezhi Wang, Dale Schuurmans,
Claire Cui, Olivier Bousquet, Quoc Le, et al. 2022.
Least-to-most prompting enables complex reason-
ing in large language models. *arXiv preprint*
arXiv:2205.10625.

Appendix

Which of the following summaries does a better job of summarizing the most important points in the given forum article, without including unimportant or irrelevant details?

A good summary is both precise and concise.

Original Article:

{article}

Summary A:

{contextA}

Summary B:

{contextB}

Take a deep breath and think about this question step by step! **FIRST**, think step by step to have a comparison of the two summaries, explaining which you prefer and why. **SECOND**, on a new line, state only "A" or "B" to indicate your choice.

Your response should use the format:

Comparison: <step by step comparison>

Preferred: <"A" or "B">.

Figure 5: Preference model prompt for CoT Zero-shot Prompting for TL;DR

Which of the following summaries does a better job of summarizing the most important points in the given forum article, without including unimportant or irrelevant details?

A good summary is both precise and concise.

Original Article:

{article}

Summary A:

{contextA}

Summary B:

{contextB}

FIRST, explaining which you prefer and why. **SECOND**, on a new line, state only "A" or "B" to indicate your choice.

Your response should use the format:

Comparison: <step by step comparison>

Preferred: <"A" or "B">.

Figure 6: Preference model prompt for Direct Prompting for TL;DR

Which of the following summaries does a better job of summarizing the most important points in the given forum article, without including unimportant or irrelevant details? You are also given some aspects to help you make the decision

A good summary is both precise and concise.

Original Article:

{article}

Summary A:

{contextA}

Summary B:

{contextB}

Aspects:

{aspects}

FIRST, explaining which you prefer and why. In your evaluation, you need to consider aspects that are given above. SECOND, on a new line, state only "A" or "B" to indicate your choice.

Your response should use the format:

Comparison: <step by step comparison>

Preferred: <"A" or "B">.

Figure 7: Preference model prompt for Direct Prompting with Aspects for TL;DR

Which of the following summaries does a better job of summarizing the most important points in the given forum article, without including unimportant or irrelevant details? You are also given a comparative reasoning table that analyzes the differences and similarities between the two summaries.

A good summary is both precise and concise.

Original Article:

{article}

Summary A:

{contextA}

Summary B:

{contextB}

Comparative Reasoning Table:

{table}

FIRST, explain which you prefer and why. In your evaluation, you can use the comparative reasoning table above to help you make the justification and the decision. SECOND, on a new line, state only "A" or "B" to indicate your choice.

Your response should use the format:

Comparison: <step by step comparison>

Preferred: <"A" or "B">.

Figure 8: Preference model prompt for SC² for TL;DR

Which of the following documents aligns better with the query given?

A good retrieved document should be relevant to the query.

Query:

{query}

Document A:

{contextA}

Document B:

{contextB}

Take a deep breath and think about this question step by step! FIRST, think step by step to have a comparison of the two retrieved documents, explaining which you prefer and why. SECOND, on a new line, state only "A" or "B" to indicate your choice.

Your response should use the format:

Comparison: <step by step comparison>

Preferred: <"A" or "B">.

Figure 9: Preference model prompt for Zero-shot CoT Prompting for TREC News

Which of the following documents aligns better with the query given?

A good retrieved document should be relevant to the query.

Query:

{query}

Document A:

{contextA}

Document B:

{contextB}

FIRST, have a comparison of the two retrieved documents, explaining which you prefer and why. SECOND, on a new line, state only "A" or "B" to indicate your choice.

Your response should use the format:

Comparison: <step by step comparison>

Preferred: <"A" or "B">.

Figure 10: Preference model prompt for Direct Prompting for TREC News

Which of the following documents aligns better with the query given? You are also given some aspects to help you make the decision

A good retrieved document should be relevant to the query.

Query:

{query}

Document A:

{contextA}

Document B:

{contextB}

Aspects:

{aspects}

FIRST, have a comparison of two retrieved documents, explaining which you prefer and why. In your evaluation, you need to consider aspects that are given above. SECOND, on a new line, state only "A" or "B" to indicate your choice.

Your response should use the format:

Comparison: <step by step comparison>

Preferred: <"A" or "B">.

Figure 11: Preference model prompt for Direct Prompting with Aspects for TREC News

Which of the following documents aligns better with the query given? You are also given a comparative reasoning table that analyzes the differences and similarities between the two documents.

A good retrieved document should be relevant to the query.

Query:

{query}

Document A:

{contextA}

Document B:

{contextB}

Comparative Reasoning Table:

{table}

FIRST, explaining which you prefer and why. In your evaluation, you can use the comparative reasoning table above to help you make the justifications and decision. SECOND, on a new line, state only "A" or "B" to indicate your choice.

Your response should use the format:

Comparison: <step by step comparison>

Preferred: <"A" or "B">.

Figure 12: Preference model prompt for SC² for TREC News

For the following query to a chatbot, which response is more helpful?

Query to a Chatbot:

{article}

Response A:

{contextA}

Response B:

{contextB}

Take a deep breath and think about this question step by step! FIRST, think step by step to have a comparison of the two responses generated, explaining which you prefer and why. SECOND, on a new line, state only "A" or "B" to indicate your choice.

Your response should use the format:

Comparison: <step by step comparison>

Preferred: <"A" or "B">.

Figure 13: Preference model prompt for Zero-shot CoT Prompting for RLAIIF-HH

For the following query to a chatbot, which response is more helpful?

Query to a Chatbot:
{article}

Response A:
{contextA}

Response B:
{contextB}

FIRST, have a comparison of the two generated responses, explaining which you prefer and why. SECOND, on a new line, state only "A" or "B" to indicate your choice.

Your response should use the format:
Comparison: <step by step comparison>
Preferred: <"A" or "B">.

Figure 14: Preference model prompt for Direct Prompting for RLAIIF-HH

For the following query to a chatbot, which response is more helpful? You are also given some aspects to help you make the decision

Query to a Chatbot:
{article}

Response A:
{contextA}

Response B:
{contextB}

Aspects:
{aspect}

FIRST, have a comparison of the two generated responses, explaining which you prefer and why. In your evaluation, you need to consider aspects that are given above. SECOND, on a new line, state only "A" or "B" to indicate your choice.

Your response should use the format:
Comparison: <step by step comparison>
Preferred: <"A" or "B">.

Figure 15: Preference model prompt for Direct Prompting with Aspects for RLAIIF-HH

For the following query to a chatbot, which response is more helpful? You are also given a comparative reasoning table that analyzes the differences and similarities between the two generated responses.

Query to a Chatbot:

{article}

Response A:

{contextA}

Response B:

{contextB}

Comparative Reasoning Table:

{table}

FIRST, explain which you prefer and why. In your evaluation, you can use the comparative reasoning table above to help you make the justifications and decisions. SECOND, on a new line, state only "A" or "B" to indicate your choice.

Your response should use the format:

Comparison: <step by step comparison>

Preferred: <"A" or "B">.

Figure 16: Preference model prompt for SC² for RLAIIF-HH

Which of the following summaries does a better job of summarizing the most important points in the given forum article, without including unimportant or irrelevant details? You are also given some aspects to help you make the decision

A good summary is both precise and concise.

Example Article:

{article}

Example Summary A:

{contextA}

Example Summary B:

{contextB}

Example Aspects:

{aspects}

FIRST, explain which you prefer and why. In your evaluation, you need to consider aspects that are given above. SECOND, on a new line, state only "A" or "B" to indicate your choice.

Your response should use the format:

Comparison: <step by step comparison>

Preferred: <"A" or "B">.

Example Answer: {example answer}

Now, Based on the example above, take a deep breath and think about this question step by step to answer the following question.

Which of the following summaries does a better job of summarizing the most important points in the given forum article, without including unimportant or irrelevant details? You are also given some aspects to help you make the decision

A good summary is both precise and concise.

Original Article:

{article}

Summary A:

{contextA}

Summary B:

{contextB}

Aspects:

{aspects}

FIRST, explain which you prefer and why. In your evaluation, you need to consider aspects that are given above. SECOND, on a new line, state only "A" or "B" to indicate your choice.

Your response should use the format:

Comparison: <step by step comparison>

Preferred: <"A" or "B">.

Figure 17: Preference Model Prompts for CoT-1.

Instructions: Your task is to conduct a consistency analysis of two generated comparative table responses. Your evaluation should focus solely on the consistency of the responses. Each comparative table is constructed to delineate similarities and differences about a given query, juxtaposing candidate Summary 1 against candidate Summary 2. Consistency, in this context, refers to the logical coherence within each table. Specifically, for each row corresponding to an aspect-level comparison, the entries of the three columns that denote similarities should be distinct and non-overlapping with the entries that denote differences. A consistent response will differentiate between the commonalities and disparities, ensuring that the information under the 'similarities' column does not overlap with what is presented under the 'differences' column. This clear segregation is crucial in assessing the quality of the responses and their effectiveness in summarizing and contrasting the key points from the summaries.

Query to a Chatbot:

{article}

Summary 1:

{contextA}

Summary 2:

{contextB}

Comparative Table Response A:

{contextA}

Comparative Table Response B:

{contextB}

More consistent: <"A" or "B">.

Justifications: <Justifications>.

Figure 18: Instructions to Craft prompts for Pairwise Comparator.