

Language as a Latent Variable: Discrete Generative Models for Sentence Compression

Yishu Miao¹, Phil Blunsom^{1,2}

¹University of Oxford, ²Google Deepmind
{yishu.miao, phil.blunsom}@cs.ox.ac.uk

Abstract

In this work we explore deep generative models of text in which the latent representation of a document is itself drawn from a discrete language model distribution. We formulate a variational auto-encoder for inference in this model and apply it to the task of compressing sentences. In this application the generative model first draws a latent summary sentence from a background language model, and then subsequently draws the observed sentence conditioned on this latent summary. In our empirical evaluation we show that generative formulations of both abstractive and extractive compression yield state-of-the-art results when trained on a large amount of supervised data. Further, we explore semi-supervised compression scenarios where we show that it is possible to achieve performance competitive with previously proposed supervised models while training on a fraction of the supervised data.

1 Introduction

The recurrent sequence-to-sequence paradigm for natural language generation (Kalchbrenner and Blunsom, 2013; Sutskever et al., 2014) has achieved remarkable recent success and is now the approach of choice for applications such as machine translation (Bahdanau et al., 2015), caption generation (Xu et al., 2015) and speech recognition (Chorowski et al., 2015). While these models have developed sophisticated conditioning mechanisms, e.g. attention, fundamentally they are discriminative models trained only to approximate the conditional output distribution of strings. In this paper we explore modelling the

joint distribution of string pairs using a deep generative model and employing a discrete variational auto-encoder (VAE) for inference (Kingma and Welling, 2014; Rezende et al., 2014; Mnih and Gregor, 2014). We evaluate our generative approach on the task of sentence compression. This approach provides both alternative supervised objective functions and the opportunity to perform semi-supervised learning by exploiting the VAEs ability to marginalise the latent compressed text for unlabelled data.

Auto-encoders (Rumelhart et al., 1985) are a typical neural network architecture for learning compact data representations, with the general aim of performing dimensionality reduction on embeddings (Hinton and Salakhutdinov, 2006). In this paper, rather than seeking to embed inputs as points in a vector space, we describe them with explicit natural language sentences. This approach is a natural fit for summarisation tasks such as sentence compression. According to this, we propose a generative **auto-encoding sentence compression** (ASC) model, where we introduce a latent language model to provide the variable-length compact summary. The objective is to perform Bayesian inference for the posterior distribution of summaries conditioned on the observed utterances. Hence, in the framework of VAE, we construct an inference network as the variational approximation of the posterior, which generates compression samples to optimise the variational lower bound.

The most common family of variational auto-encoders relies on the reparameterisation trick, which is not applicable for our discrete latent language model. Instead, we employ the REINFORCE algorithm (Mnih et al., 2014; Mnih and Gregor, 2014)

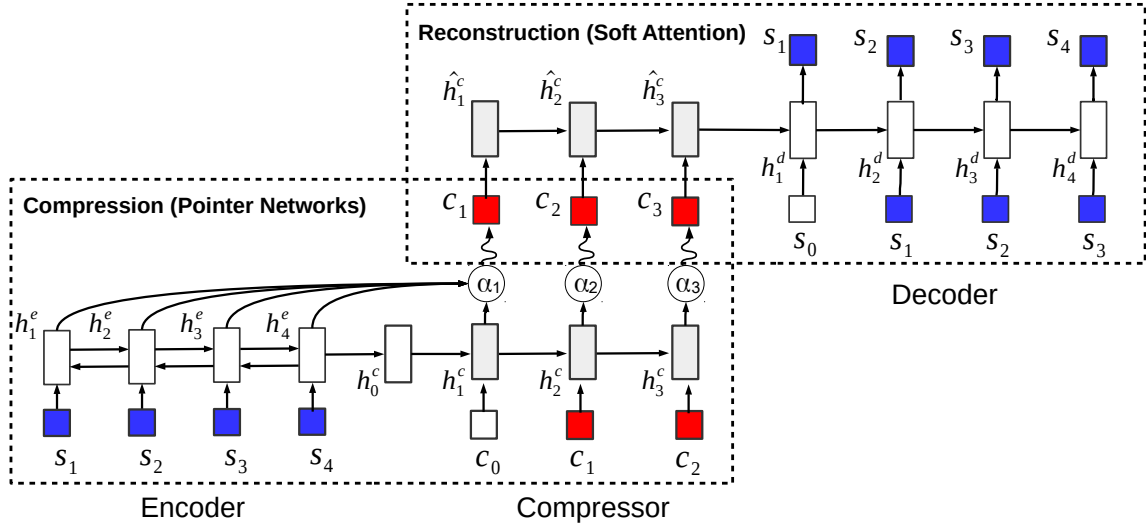


Figure 1: Auto-encoding Sentence Compression Model

to mitigate the problem of high variance during sampling-based variational inference. Nevertheless, when directly applying the RNN encoder-decoder to model the variational distribution it is very difficult to generate reasonable compression samples in the early stages of training, since each hidden state of the sequence would have $|V|$ possible words to be sampled from. To combat this we employ pointer networks (Vinyals et al., 2015) to construct the variational distribution. This biases the latent space to sequences composed of words only appearing in the source sentence (i.e. the size of softmax output for each state becomes the length of current source sentence), which amounts to applying an extractive compression model for the variational approximation.

In order to further boost the performance on sentence compression, we employ a supervised **forced-attention sentence compression** model (FSC) trained on labelled data to teach the ASC model to generate compression sentences. The FSC model shares the pointer network of the ASC model and combines a softmax output layer over the whole vocabulary. Therefore, while training on the sentence-compression pairs, it is able to balance copying a word from the source sentence with generating it from the background distribution. More importantly, by jointly training on the labelled and unlabelled datasets, this shared pointer network enables the model to work in a semi-supervised scenario. In

this case, the FSC teaches the ASC to generate reasonable samples, while the pointer network trained on a large unlabelled data set helps the FSC model to perform better abstractive summarisation.

In Section 6, we evaluate the proposed model by jointly training the generative (ASC) and discriminative (FSC) models on the standard Gigaword sentence compression task with varying amounts of labelled and unlabelled data. The results demonstrate that by introducing a latent language variable we are able to match the previous benchmarkers with small amount of the supervised data. When we employ our mixed discriminative and generative objective with all of the supervised data the model significantly outperforms all previously published results.

2 Auto-Encoding Sentence Compression

In this section, we introduce the auto-encoding sentence compression model (Figure 1)¹ in the framework of variational auto-encoders. The ASC model consists of four recurrent neural networks – an encoder, a compressor, a decoder and a language model.

Let s be the source sentence, and c be the compression sentence. The **compression** model (encoder-compressor) is the inference network $q_\phi(c|s)$ that takes source sentences s as inputs and generates extractive compressions c . The **reconstruction**

¹The language model, layer connections and decoder soft attentions are omitted in Figure 1 for clarity.

model (compressor-decoder) is the generative network $p_\theta(\mathbf{s}|\mathbf{c})$ that reconstructs source sentences \mathbf{s} based on the latent compressions \mathbf{c} . Hence, the forward pass starts from the encoder to the compressor and ends at the decoder. As the prior distribution, a language model $p(\mathbf{c})$ is pre-trained to regularise the latent compressions so that the samples drawn from the compression model are likely to be reasonable natural language sentences.

2.1 Compression

For the compression model (encoder-compressor), $q_\phi(\mathbf{c}|\mathbf{s})$, we employ a pointer network consisting of a bidirectional LSTM encoder that processes the source sentences, and an LSTM compressor that generates compressed sentences by attending to the encoded source words.

Let s_i be the words in the source sentences, \mathbf{h}_i^e be the corresponding state outputs of the encoder. \mathbf{h}_i^e are the concatenated hidden states from each direction:

$$\mathbf{h}_i^e = f_{\text{enc}}(\vec{\mathbf{h}}_{i-1}^e, \mathbf{s}_i) || f_{\text{enc}}(\overleftarrow{\mathbf{h}}_{i+1}^e, \mathbf{s}_i) \quad (1)$$

Further, let c_j be the words in the compressed sentences, \mathbf{h}_j^c be the state outputs of the compressor. We construct the predictive distribution by attending to the words in the source sentences:

$$\mathbf{h}_j^c = f_{\text{com}}(\mathbf{h}_{j-1}^c, \mathbf{c}_{j-1}) \quad (2)$$

$$\mathbf{u}_j(i) = \mathbf{w}_3^T \tanh(\mathbf{W}_1 \mathbf{h}_j^c + \mathbf{W}_2 \mathbf{h}_i^e) \quad (3)$$

$$q_\phi(\mathbf{c}_j | \mathbf{c}_{1:j-1}, \mathbf{s}) = \text{softmax}(\mathbf{u}_j) \quad (4)$$

where \mathbf{c}_0 is the start symbol for each compressed sentence and \mathbf{h}_0^c is initialised by the source sentence vector of $\mathbf{h}_{|\mathbf{s}|}^e$. In this case, all the words \mathbf{c}_j sampled from $q_\phi(\mathbf{c}_j | \mathbf{c}_{1:j-1}, \mathbf{s})$ are the subset of the words appeared in the source sentence (i.e. $\mathbf{c}_j \in \mathbf{s}$).

2.2 Reconstruction

For the reconstruction model (compressor-decoder) $p_\theta(\mathbf{s}|\mathbf{c})$, we apply a soft attention sequence-to-sequence model to generate the source sentence \mathbf{s} based on the compression samples $\mathbf{c} \sim q_\phi(\mathbf{c}|\mathbf{s})$.

Let s_k be the words in the reconstructed sentences and \mathbf{h}_k^d be the corresponding state outputs of the decoder:

$$\mathbf{h}_k^d = f_{\text{dec}}(\mathbf{h}_{k-1}^d, \mathbf{s}_{k-1}) \quad (5)$$

In this model, we directly use the recurrent cell of the compressor to encode the compression samples²:

$$\hat{\mathbf{h}}_j^c = f_{\text{com}}(\hat{\mathbf{h}}_{j-1}^c, \mathbf{c}_j) \quad (6)$$

where the state outputs $\hat{\mathbf{h}}_j^c$ corresponding to the word inputs \mathbf{c}_j are different from the outputs \mathbf{h}_j^c in the compression model, since we block the information from the source sentences. We also introduce a start symbol \mathbf{s}_0 for the reconstructed sentence and \mathbf{h}_0^d is initialised by the last state output $\hat{\mathbf{h}}_{|\mathbf{c}|}^c$. The soft attention model is defined as:

$$v_k(j) = \mathbf{w}_6^T \tanh(\mathbf{W}_4 \mathbf{h}_k^d + \mathbf{W}_5 \hat{\mathbf{h}}_j^c) \quad (7)$$

$$\gamma_k(j) = \text{softmax}(v_k(j)) \quad (8)$$

$$\mathbf{d}_k = \sum_j^{|\mathbf{c}|} \gamma_k(j) \hat{\mathbf{h}}_j^c(v_k(j)) \quad (9)$$

We then construct the predictive probability distribution over reconstructed words using a softmax:

$$p_\theta(\mathbf{s}_k | \mathbf{s}_{1:k-1}, \mathbf{c}) = \text{softmax}(\mathbf{W}_7 \mathbf{d}_k) \quad (10)$$

2.3 Inference

In the ASC model there are two sets of parameters, ϕ and θ , that need to be updated during inference. Due to the non-differentiability of the model, the reparameterisation trick of the VAE is not applicable in this case. Thus, we use the REINFORCE algorithm (Mnih et al., 2014; Mnih and Gregor, 2014) to reduce the variance of the gradient estimator.

The variational lower bound of the ASC model is:

$$\begin{aligned} L &= \mathbb{E}_{q_\phi(\mathbf{c}|\mathbf{s})} [\log p_\theta(\mathbf{s}|\mathbf{c})] - D_{KL}[q_\phi(\mathbf{c}|\mathbf{s}) || p(\mathbf{c})] \\ &\leq \log \int \frac{q_\phi(\mathbf{c}|\mathbf{s})}{q_\phi(\mathbf{c}|\mathbf{s})} p_\theta(\mathbf{s}|\mathbf{c}) p(\mathbf{c}) d\mathbf{c} = \log p(\mathbf{s}) \end{aligned} \quad (11)$$

Therefore, by optimising the lower bound (Eq. 11), the model balances the selection of keywords for the summaries and the efficacy of the composed compressions, corresponding to the reconstruction error and KL divergence respectively.

In practise, the pre-trained language model prior $p(\mathbf{c})$ prefers short sentences for compressions. As one of the drawbacks of VAEs, the KL divergence term in the lower bound pushes every sample drawn

²The recurrent parameters of the compressor are not updated by the gradients from the reconstruction model.

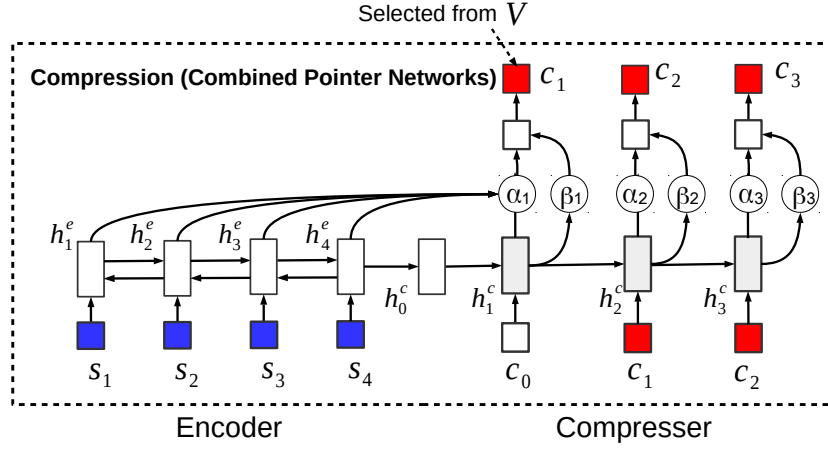


Figure 2: Forced Attention Sentence Compression Model

from the variational distribution towards the prior. Thus acting to regularise the posterior, but also to restrict the learning of the encoder. If the estimator keeps sampling short compressions during inference, the LSTM decoder would gradually rely on the contexts from the decoded words instead of the information provided by the compressions, which does not yield the best performance on sentence compression.

Here, we introduce a co-efficient λ to scale the learning signal of the KL divergence:

$$L = \mathbb{E}_{q_\phi(\mathbf{c}|\mathbf{s})}[\log p_\theta(\mathbf{s}|\mathbf{c})] - \lambda D_{KL}[q_\phi(\mathbf{c}|\mathbf{s})||p(\mathbf{c})] \quad (12)$$

Although we are not optimising the exact variational lower bound, the ultimate goal of learning an effective compression model is mostly up to the reconstruction error. In Section 6, we empirically apply $\lambda = 0.1$ for all the experiments on ASC model. Interestingly, λ controls the compression rate of the sentences which can be a good point to be explored in future work.

During the inference, we have different strategies for updating the parameters of ϕ and θ . For the parameters θ in the reconstruction model, we directly update them by the gradients:

$$\begin{aligned} \frac{\partial L}{\partial \theta} &= \mathbb{E}_{q_\phi(\mathbf{c}|\mathbf{s})} \left[\frac{\partial \log p_\theta(\mathbf{s}|\mathbf{c})}{\partial \theta} \right] \\ &\approx \frac{1}{M} \sum_m \frac{\partial \log p_\theta(\mathbf{s}|\mathbf{c}^{(m)})}{\partial \theta} \end{aligned} \quad (13)$$

where we draw M samples $\mathbf{c}^{(m)} \sim q_\phi(\mathbf{c}|\mathbf{s})$ independently for computing the stochastic gradients.

For the parameters ϕ in the compression model, we firstly define the learning signal,

$$l(\mathbf{s}, \mathbf{c}) = \log p_\theta(\mathbf{s}|\mathbf{c}) - \lambda(\log q_\phi(\mathbf{c}|\mathbf{s}) - \log p(\mathbf{c})).$$

Then, we update the parameters ϕ by:

$$\begin{aligned} \frac{\partial L}{\partial \phi} &= \mathbb{E}_{q_\phi(\mathbf{c}|\mathbf{s})} [l(\mathbf{s}, \mathbf{c}) \frac{\partial \log q_\phi(\mathbf{c}|\mathbf{s})}{\partial \phi}] \\ &\approx \frac{1}{M} \sum_m [l(\mathbf{s}, \mathbf{c}^{(m)}) \frac{\partial \log q_\phi(\mathbf{c}^{(m)}|\mathbf{s})}{\partial \phi}] \end{aligned} \quad (14)$$

However, this gradient estimator has a big variance because the learning signal $l(\mathbf{s}, \mathbf{c}^{(m)})$ relies on the samples from $q_\phi(\mathbf{c}|\mathbf{s})$. Therefore, following the REINFORCE algorithm, we introduce two baselines b and $b(\mathbf{s})$, the centred learning signal and input-dependent baseline respectively, to help reduce the variance.

Here, we build an MLP to implement the input-dependent baseline $b(\mathbf{s})$. During training, we learn the two baselines by minimising the expectation:

$$\mathbb{E}_{q_\phi(\mathbf{c}|\mathbf{s})} [(l(\mathbf{s}, \mathbf{c}) - b - b(\mathbf{s}))^2]. \quad (15)$$

Hence, the gradients w.r.t. ϕ are derived as,

$$\frac{\partial L}{\partial \phi} \approx \frac{1}{M} \sum_m (l(\mathbf{s}, \mathbf{c}^{(m)}) - b - b(\mathbf{s})) \frac{\partial \log q_\phi(\mathbf{c}^{(m)}|\mathbf{s})}{\partial \phi} \quad (16)$$

which is basically a likelihood-ratio estimator.

3 Forced-attention Sentence Compression

In neural variational inference, the effectiveness of training largely depends on the quality of the inference network gradient estimator. Although we introduce a biased estimator by using pointer networks, it is still very difficult for the compression model to generate reasonable natural language sentences at the early stage of learning, which results in

high-variance for the gradient estimator. Here, we introduce our supervised forced-attention sentence compression (FSC) model to teach the compression model to generate coherent compressed sentences.

Neither directly replicating the pointer network of ASC model, nor using a typical sequence-to-sequence model, the FSC model employs a force-attention strategy (Figure 2) that encourages the compressor to select words appearing in the source sentence but keeps the original full output vocabulary V . The force-attention strategy is basically a combined pointer network that chooses whether to select a word from the source sentence \mathbf{s} or to predict a word from V at each recurrent state. Hence, the combined pointer network learns to copy the source words while predicting the word sequences of compressions. By sharing the pointer networks between the ASC and FSC model, the biased estimator obtains further positive biases by training on a small set of labelled source-compression pairs.

Here, the FSC model makes use of the compression model (Eq. 1 to 4) in the ASC model,

$$\alpha_j = \text{softmax}(\mathbf{u}_j), \quad (17)$$

where $\alpha_j(i)$, $i \in (1, \dots, |\mathbf{s}|)$ denotes the probability of selecting \mathbf{s}_i as the prediction for \mathbf{c}_j .

On the basis of the pointer network, we further introduce the probability of predicting \mathbf{c}_j that is selected from the full vocabulary,

$$\beta_j = \text{softmax}(\mathbf{W}\mathbf{h}_j^c), \quad (18)$$

where $\beta_j(w)$, $w \in (1, \dots, |V|)$ denotes the probability of selecting the w th from V as the prediction for \mathbf{c}_j . To combine these two probabilities in the RNN, we define a selection factor \mathbf{t} for each state output, which computes the semantic similarities between the current state and the attention vector,

$$\boldsymbol{\eta}_j = \sum_i^{|\mathbf{s}|} \alpha_j(i) \mathbf{h}_i^c \quad (19)$$

$$\mathbf{t}_j = \sigma(\boldsymbol{\eta}_j^T \mathbf{M}\mathbf{h}_j^c). \quad (20)$$

Hence, the probability distribution over compressed words is defined as,

$$p(\mathbf{c}_j | \mathbf{c}_{1:j-1}, \mathbf{s}) = \begin{cases} \mathbf{t}_j \alpha_j(i) + (1 - \mathbf{t}_j) \beta_j(\mathbf{c}_j), & \mathbf{c}_j = \mathbf{s}_i \\ (1 - \mathbf{t}_j) \beta_j(\mathbf{c}_j), & \mathbf{c}_j \notin \mathbf{s} \end{cases} \quad (21)$$

Essentially, the FSC model is the extended compression model of ASC by incorporating the pointer network with a softmax output layer over the full vocabulary. So we employ ϕ to denote the parameters of the FSC model $p_\phi(\mathbf{c}|\mathbf{s})$, which covers the parameters of the variational distribution $q_\phi(\mathbf{c}|\mathbf{s})$.

4 Semi-supervised Training

As the auto-encoding sentence compression (ASC) model grants the ability to make use of an unlabelled dataset, we explore a semi-supervised training framework for the ASC and FSC models. In this scenario we have a labelled dataset that contains source-compression parallel sentences, $(\mathbf{s}, \mathbf{c}) \in \mathbb{L}$, and an unlabelled dataset that contains only source sentences $\mathbf{s} \in \mathbb{U}$. The FSC model is trained on \mathbb{L} so that we are able to learn the compression model by maximising the log-probability,

$$F = \sum_{(\mathbf{c}, \mathbf{s}) \in \mathbb{L}} \log p_\phi(\mathbf{c}|\mathbf{s}). \quad (22)$$

While the ASC model is trained on \mathbb{U} , where we maximise the modified variational lower bound,

$$L = \sum_{\mathbf{s} \in \mathbb{U}} (\mathbb{E}_{q_\phi(\mathbf{c}|\mathbf{s})} [\log p_\theta(\mathbf{s}|\mathbf{c})] - \lambda D_{KL}[q_\phi(\mathbf{c}|\mathbf{s}) || p(\mathbf{c})]). \quad (23)$$

The joint objective function of the semi-supervised learning is,

$$J = \sum_{\mathbf{s} \in \mathbb{U}} (\mathbb{E}_{q_\phi(\mathbf{c}|\mathbf{s})} [\log p_\theta(\mathbf{s}|\mathbf{c})] - \lambda D_{KL}[q_\phi(\mathbf{c}|\mathbf{s}) || p(\mathbf{c})]) + \sum_{(\mathbf{c}, \mathbf{s}) \in \mathbb{L}} \log p_\phi(\mathbf{c}|\mathbf{s}). \quad (24)$$

Hence, the pointer network is trained on both unlabelled data, \mathbb{U} , and labelled data, \mathbb{L} , by a mixed criterion of REINFORCE and cross-entropy.

5 Related Work

As one of the typical sequence-to-sequence tasks, sentence-level summarisation has been explored by a series of discriminative encoder-decoder neural models. Filippova et al. (2015) carries out extractive summarisation via deletion with LSTMs, while Rush et al. (2015) applies a convolutional encoder and an

attentional feed-forward decoder to generate abstractive summarises, which provides the benchmark for the *Gigaword* dataset. Nallapati et al. (2016) further improves the performance by exploring multiple variants of RNN encoder-decoder models. The recent works Gulcehre et al. (2016), Nallapati et al. (2016) and Gu et al. (2016) also apply the similar idea of combining pointer networks and softmax output. However, different from all these discriminative models above, we explore generative models for sentence compression. Instead of training the discriminative model on a big labelled dataset, our original intuition of introducing a combined pointer networks is to bridge the unsupervised generative model (ASC) and supervised model (FSC) so that we could utilise a large additional dataset, either labelled or unlabelled, to boost the compression performance. Dai and Le (2015) also explored semi-supervised sequence learning, but in a pure deterministic model focused on learning better vector representations.

Recently variational auto-encoders have been applied in a variety of fields as deep generative models. In computer vision Kingma and Welling (2014), Rezende et al. (2014), and Gregor et al. (2015) have demonstrated strong performance on the task of image generation and Eslami et al. (2016) proposed variable-sized variational auto-encoders to identify multiple objects in images. While in natural language processing, there are variants of VAEs on modelling documents (Miao et al., 2016), sentences (Bowman et al., 2015) and discovery of relations (Marcheggiani and Titov, 2016). Apart from the typical initiations of VAEs, there are also a series of works that employs generative models for supervised learning tasks. For instance, Ba et al. (2015) learns visual attention for multiple objects by optimising a variational lower bound, Kingma et al. (2014) implements a semi-supervised framework for image classification and Miao et al. (2016) applies a conditional variational approximation in the task of factoid question answering. Dyer et al. (2016) proposes a generative model that explicitly extracts syntactic relationships among words and phrases which further supports the argument that generative models can be a statistically efficient method for learning neural networks from small data.

6 Experiments

6.1 Dataset & Setup

We evaluate the proposed models on the standard *Gigaword*³ sentence compression dataset. This dataset was generated by pairing the headline of each article with its first sentence to create a source-compression pair. Rush et al. (2015) provided scripts⁴ to filter out outliers, resulting in roughly 3.8M training pairs, a 400K validation set, and a 400K test set. In the following experiments all models are trained on the training set with different data sizes⁵ and tested on a 2K subset, which is identical to the test set used by Rush et al. (2015) and Nallapati et al. (2016). We decode the sentences by $k = 5$ Beam search and test with full-length Rouge score.

For the ASC and FSC models, we use 256 for the dimension of both hidden units and lookup tables. In the ASC model, we apply a 3-layer bidirectional RNN with skip connections as the encoder, a 3-layer RNN pointer network with skip connections as the compressor, and a 1-layer vanilla RNN with soft attention as the decoder. The language model prior is trained on the article sentences of the full training set using a 3-layer vanilla RNN with 0.5 dropout. To lower the computational cost, we apply different vocabulary sizes for encoder and compressor (119,506 and 68,897) which corresponds to the settings of Rush et al. (2015). Specifically, the vocabulary of the decoder is filtered by taking the most frequent 10,000 words from the vocabulary of the encoder, where the rest of the words are tagged as ‘<unk>’. In further consideration of efficiency, we use only one sample for the gradient estimator. We optimise the model by Adam (Kingma and Ba, 2015) with a 0.0002 learning rate and 64 sentences per batch. The model converges in 5 epochs. Except for the pre-trained language model, we do not use dropout or embedding initialisation for ASC and FSC models.

6.2 Extractive Summarisation

The first set of experiments evaluate the models on extractive summarisation. Here, we denote the joint

³<https://catalog.ldc.upenn.edu/LDC2012T21>

⁴<https://github.com/facebook/NAMAS>

⁵The hyperparameters were tuned on the validation set to maximise the perplexity of the summaries rather than the reconstructed source sentences.

Model	Training Data		Recall			Precision			F-1		
	Labelled	Unlabelled	R-1	R-2	R-L	R-1	R-2	R-L	R-1	R-2	R-L
FSC	500K	-	30.817	10.861	28.263	22.357	7.998	20.520	23.415	8.156	21.468
ASC+FSC ₁	500K	500K	29.117	10.643	26.811	28.558	10.575	26.344	26.987	9.741	24.874
ASC+FSC ₂	500K	3.8M	28.236	10.359	26.218	30.112	11.131	27.896	27.453	9.902	25.452
FSC	1M	-	30.889	11.645	28.257	27.169	10.266	24.916	26.984	10.028	24.711
ASC+FSC ₁	1M	1M	30.490	11.443	28.097	28.109	10.799	25.943	27.258	10.189	25.148
ASC+FSC ₂	1M	3.8M	29.034	10.780	26.801	31.037	11.521	28.658	28.336	10.313	26.145
FSC	3.8M	-	30.112	12.436	27.889	34.135	13.813	31.704	30.225	12.258	28.035
ASC+FSC ₁	3.8M	3.8M	29.946	12.558	27.805	35.538	14.699	32.972	30.568	12.553	28.366

Table 1: Extractive Summarisation Performance. (1) The extractive summaries of these models are decoded by the pointer network (i.e the shared component of the ASC and FSC models). (2) R-1, R-2 and R-L represent the Rouge-1, Rouge-2 and Rouge-L score respectively.

models by ASC+FSC₁ and ASC+FSC₂ where ASC is trained on unlabelled data and FSC is trained on labelled data. The ASC+FSC₁ model employs equivalent sized labelled and unlabelled datasets, where the article sentences of the unlabelled data are the same article sentences in the labelled data, so there is no additional unlabelled data applied in this case. The ASC+FSC₂ model employs the full unlabelled dataset in addition to the existing labelled dataset, which is the true semi-supervised setting.

Table 1 presents the test Rouge score on extractive compression. We can see that the ASC+FSC₁ model achieves significant improvements on F-1 scores when compared to the supervised FSC model only trained on labelled data. Moreover, fixing the labelled data size, the ASC+FSC₂ model achieves better performance by using additional unlabelled data than the ASC+FSC₁ model, which means the semi-supervised learning works in this scenario. Interestingly, learning on the unlabelled data largely increases the precisions (though the recalls do not benefit from it) which leads to significant improvements on the F-1 Rouge scores. And surprisingly, the extractive ASC+FSC₁ model trained on full labelled data outperforms the abstractive NABS (Rush et al., 2015) baseline model (in Table 4).

6.3 Abstractive Summarisation

The second set of experiments evaluate performance on abstractive summarisation (Table 2). Consistently, we see that adding the generative objective to the discriminative model (ASC+FSC₁) results in a significant boost on all the Rouge scores, while employing extra unlabelled data increase performance

further (ASC+FSC₂). This validates the effectiveness of transferring the knowledge learned on unlabelled data to the supervised abstractive summarisation.

In Figure 3, we present the validation perplexity to compare the abilities of the three models to learn the compression languages. The ASC+FSC₁(red) employs the same dataset for unlabelled and labelled training, while the ASC+FSC₂(black) employs the full unlabelled dataset. Here, the joint ASC+FSC₁ model obtains better perplexities than the single discriminative FSC model, but there is not much difference between ASC+FSC₁ and ASC+FSC₂ when the size of the labelled dataset grows. From the perspective of language modelling, the generative ASC model indeed helps the discriminative model learn to generate good summary sentences. Table 3 displays the validation perplexities of the benchmark models, where the joint ASC+FSC₁ model trained on the full labelled and unlabelled datasets performs the best on modelling compression languages.

Table 4 compares the test Rouge score on abstractive summarisation. Encouragingly, the semi-supervised model ASC+FSC₂ outperforms the baseline model NABS when trained on 500K supervised pairs, which is only about an eighth of the supervised data. In Nallapati et al. (2016), the authors exploit the full limits of discriminative RNN encoder-decoder models by incorporating a sampled softmax, expanded vocabulary, additional lexical features, and combined pointer networks⁶, which yields the best performance listed in Table 4. However, when all the data is employed with the mixed ob-

⁶The idea of the combined pointer networks is similar to the FSC model, but the implementations are slightly different.

Model	Training Data		Recall			Precision			F-1		
	Labelled	Unlabelled	R-1	R-2	R-L	R-1	R-2	R-L	R-1	R-2	R-L
FSC	500K	-	27.147	10.039	25.197	33.781	13.019	31.288	29.074	10.842	26.955
ASC+FSC ₁	500K	500K	27.067	10.717	25.239	33.893	13.678	31.585	29.027	11.461	27.072
ASC+FSC ₂	500K	3.8M	27.662	11.102	25.703	35.756	14.537	33.212	30.140	12.051	27.99
FSC	1M	-	28.521	11.308	26.478	33.132	13.422	30.741	29.580	11.807	27.439
ASC+FSC ₁	1M	1M	28.333	11.814	26.367	35.860	15.243	33.306	30.569	12.743	28.431
ASC+FSC ₂	1M	3.8M	29.017	12.007	27.067	36.128	14.988	33.626	31.089	12.785	28.967
FSC	3.8M	-	31.148	13.553	28.954	36.917	16.127	34.405	32.327	14.000	30.087
ASC+FSC ₁	3.8M	3.8M	32.385	15.155	30.246	39.224	18.382	36.662	34.156	15.935	31.915

Table 2: Abstractive Summarisation Performance. The abstractive summaries of these models are decoded by the combined pointer network (i.e. the shared pointer network together with the softmax output layer over the full vocabulary).

Model	Labelled Data	Perplexity
Bag-of-Word (BoW)	3.8M	43.6
Convolutional (TDNN)	3.8M	35.9
Attention-Based (NABS) (Rush et al., 2015)	3.8M	27.1
Forced-Attention (FSC)	3.8M	18.6
Auto-encoding (ASC+FSC ₁)	3.8M	16.6

Table 3: Comparison on validation perplexity. BoW, TDNN and NABS are the baseline neural compression models with different encoders in Rush et al. (2015)

Model	Labelled Data	R-1	R-2	R-L
(Rush et al., 2015)	3.8M	29.78	11.89	26.97
(Nallapati et al., 2016)	3.8M	33.17	16.02	30.98
ASC + FSC ₂	500K	30.14	12.05	27.99
ASC + FSC ₂	1M	31.09	12.79	28.97
ASC + FSC ₁	3.8M	34.17	15.94	31.92

Table 4: Comparison on test Rouge scores

jective ASC+FSC₁ model, the result is significantly better than this previous state-of-the-art. As the semi-supervised ASC+FSC₂ model can be trained on unlimited unlabelled data, there is still significant space left for further performance improvements.

Table 5 presents the examples of the compression sentences decoded by the joint model ASC+FSC₁ and the FSC model trained on the full dataset.

7 Discussion

From the perspective of generative models, a significant contribution of our work is a process for reducing variance for discrete sampling-based variational inference. The first step is to introduce two baselines in the control variates method due to the fact that the reparameterisation trick is not applica-

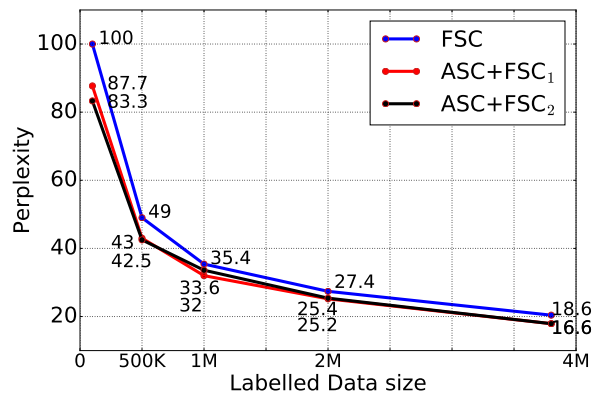


Figure 3: Perplexity on validation dataset.

ble for discrete latent variables. However it is the second step of using a pointer network as the biased estimator that makes the key contribution. This results in a much smaller state space, bounded by the length of the source sentence (mostly between 20 and 50 tokens), compared to the full vocabulary. The final step is to apply the FSC model to transfer the knowledge learned from the supervised data to the pointer network. This further reduces the sampling variance by acting as a sort of bootstrap or constraint on the unsupervised latent space which could encode almost anything but which thus becomes biased towards matching the supervised distribution. By using these variance reduction methods, the ASC model is able to carry out effective variational inference for the latent language model so that it learns to summarise the sentences from the large unlabelled training data.

In a different vein, according to the reinforcement learning interpretation of sequence level training (Ranzato et al., 2016), the compression model of the ASC model acts as an agent which iteratively generates words (takes actions) to compose the com-

pression sentence and the reconstruction model acts as the reward function evaluating the quality of the compressed sentence which is provided as a reward signal. Ranzato et al. (2016) presents a thorough empirical evaluation on three different NLP tasks by using additional sequence-level reward (BLEU and Rouge-2) to train the models. In the context of this paper, we apply a variational lower bound (mixed reconstruction error and KL divergence regularisation) instead of the explicit Rouge score. Thus the ASC model is granted the ability to explore unlimited unlabelled data resources. In addition we introduce a supervised FSC model to teach the compression model to generate stable sequences instead of starting with a random policy. In this case, the pointer network that bridges the supervised and unsupervised model is trained by a mixed criterion of REINFORCE and cross-entropy in an incremental learning framework. Eventually, according to the experimental results, the joint ASC and FSC model is able to learn a robust compression model by exploring both labelled and unlabelled data, which outperforms the other single discriminative compression models that are only trained by cross-entropy reward signal.

8 Conclusion

In this paper we have introduced a generative model for jointly modelling pairs of sequences and evaluated its efficacy on the task of sentence compression. The variational auto-encoding framework provided an effective inference algorithm for this approach and also allowed us to explore combinations of discriminative (FSC) and generative (ASC) compression models. The evaluation results show that supervised training of the combination of these models improves upon the state-of-the-art performance for the Gigaword compression dataset. When we train the supervised FSC model on a small amount of labelled data and the unsupervised ASC model on a large set of unlabelled data the combined model is able to outperform previously reported benchmarks trained on a great deal more supervised data. These results demonstrate that we are able to model language as a discrete latent variable in a variational auto-encoding framework and that the resultant generative model is able to effectively exploit both supervised and unsupervised data in sequence-to-sequence tasks.

src	the sri lankan government on wednesday announced the closure of government schools with immediate effect as a military campaign against tamil separatists escalated in the north of the country .
ref	sri lanka closes schools as war escalates
asc_a	sri lanka closes government schools
asc_e	sri lankan government closure schools escalated
fsc_a	sri lankan government closure with tamil rebels closure
src	factory orders for manufactured goods rose ## percent in september , the commerce department said here thursday .
ref	us september factory orders up ## percent
asc_a	us factory orders up ## percent in september
asc_e	factory orders rose ## percent in september
fsc_a	factory orders ## percent in september
src	hong kong signed a breakthrough air services agreement with the united states on friday that will allow us airlines to carry freight to asian destinations via the territory .
ref	hong kong us sign breakthrough aviation pact
asc_a	us hong kong sign air services agreement
asc_e	hong kong signed air services agreement with united states
fsc_a	hong kong signed air services pact with united states
src	a swedish un soldier in bosnia was shot and killed by a stray bullet on tuesday in an incident authorities are calling an accident , military officials in stockholm said tuesday .
ref	swedish un soldier in bosnia killed by stray bullet
asc_a	swedish un soldier killed in bosnia
asc_e	swedish un soldier shot and killed
fsc_a	swedish soldier shot and killed in bosnia
src	tea scores on the fourth day of the second test between australia and pakistan here monday .
ref	australia vs pakistan tea scorecard
asc_a	australia v pakistan tea scores
asc_e	australia tea scores
fsc_a	tea scores on #th day of #nd test
src	india won the toss and chose to bat on the opening day in the opening test against west indies at the antigua recreation ground on friday .
ref	india win toss and elect to bat in first test
asc_a	india win toss and bat against west indies
asc_e	india won toss on opening day against west indies
fsc_a	india chose to bat on opening day against west indies
src	a powerful bomb exploded outside a navy base near the sri lankan capital colombo tuesday , seriously wounding at least one person , military officials said .
ref	bomb attack outside srilanka navy base
asc_a	bomb explodes outside sri lanka navy base
asc_e	bomb outside sri lankan navy base wounding one
fsc_a	bomb exploded outside sri lankan navy base
src	press freedom in algeria remains at risk despite the release on wednesday of prominent newspaper editor mohamed <unk> after a two-year prison sentence , human rights organizations said .
ref	algerian press freedom at risk despite editor 's release <unk> picture
asc_a	algeria press freedom remains at risk
asc_e	algeria press freedom remains at risk
fsc_a	press freedom in algeria at risk

Table 5: Examples of the compression sentences. **src** and **ref** are the source and reference sentences provided in the test set. **asc_a** and **asc_e** are the abstractive and extractive compression sentences decoded by the joint model ASC+FSC₁, and **fsc_a** denotes the abstractive compression obtained by the FSC model.

References

- [Ba et al.2015] Jimmy Ba, Volodymyr Mnih, and Koray Kavukcuoglu. 2015. Multiple object recognition with visual attention. In *Proceedings of ICLR*.
- [Bahdanau et al.2015] Dzmitry Bahdanau, Kyunghyun Cho, and Yoshua Bengio. 2015. Neural machine translation by jointly learning to align and translate. In *Proceedings of ICLR*.
- [Bowman et al.2015] Samuel R Bowman, Luke Vilnis, Oriol Vinyals, Andrew M Dai, Rafal Jozefowicz, and Samy Bengio. 2015. Generating sentences from a continuous space. *arXiv preprint arXiv:1511.06349*.
- [Chorowski et al.2015] Jan K Chorowski, Dzmitry Bahdanau, Dmitriy Serdyuk, Kyunghyun Cho, and Yoshua Bengio. 2015. Attention-based models for speech recognition. In *Proceedings of NIPS*, pages 577–585.
- [Dai and Le2015] Andrew M Dai and Quoc V Le. 2015. Semi-supervised sequence learning. In *Proceedings of NIPS*, pages 3061–3069.
- [Dyer et al.2016] Chris Dyer, Adhiguna Kuncoro, Miguel Ballesteros, and Noah A Smith. 2016. Recurrent neural network grammars. In *Proceedings of NAACL*.
- [Eslami et al.2016] SM Eslami, Nicolas Heess, Theophane Weber, Yuval Tassa, Koray Kavukcuoglu, and Geoffrey E Hinton. 2016. Attend, infer, repeat: Fast scene understanding with generative models. *arXiv preprint arXiv:1603.08575*.
- [Filippova et al.2015] Katja Filippova, Enrique Alfonseca, Carlos A Colmenares, Lukasz Kaiser, and Oriol Vinyals. 2015. Sentence compression by deletion with lstms. In *Proceedings of EMNLP*, pages 360–368.
- [Gregor et al.2015] Karol Gregor, Ivo Danihelka, Alex Graves, and Daan Wierstra. 2015. Draw: A recurrent neural network for image generation. In *Proceedings of ICML*.
- [Gu et al.2016] Jiatao Gu, Zhengdong Lu, Hang Li, and Victor OK Li. 2016. Incorporating copying mechanism in sequence-to-sequence learning. *arXiv preprint arXiv:1603.06393*.
- [Gulcehre et al.2016] Caglar Gulcehre, Sungjin Ahn, Ramesh Nallapati, Bowen Zhou, and Yoshua Bengio. 2016. Pointing the unknown words. *arXiv preprint arXiv:1603.08148*.
- [Hinton and Salakhutdinov2006] Geoffrey E Hinton and Ruslan R Salakhutdinov. 2006. Reducing the dimensionality of data with neural networks. *Science*, 313(5786):504–507.
- [Kalchbrenner and Blunsom2013] Nal Kalchbrenner and Phil Blunsom. 2013. Recurrent continuous translation models. In *Proceedings of EMNLP*.
- [Kingma and Ba2015] Diederik P. Kingma and Jimmy Ba. 2015. Adam: A method for stochastic optimization. In *Proceedings of ICLR*.
- [Kingma and Welling2014] Diederik P Kingma and Max Welling. 2014. Auto-encoding variational bayes. In *Proceedings of ICLR*.
- [Kingma et al.2014] Diederik P Kingma, Shakir Mohamed, Danilo Jimenez Rezende, and Max Welling. 2014. Semi-supervised learning with deep generative models. In *Proceedings of NIPS*.
- [Marcheggiani and Titov2016] Diego Marcheggiani and Ivan Titov. 2016. Discrete-state variational autoencoders for joint discovery and factorization of relations. *Transactions of the Association for Computational Linguistics*, 4.
- [Miao et al.2016] Yishu Miao, Lei Yu, and Phil Blunsom. 2016. Neural variational inference for text processing. In *Proceedings of ICML*.
- [Mnih and Gregor2014] Andriy Mnih and Karol Gregor. 2014. Neural variational inference and learning in belief networks. In *Proceedings of ICML*.
- [Mnih et al.2014] Volodymyr Mnih, Nicolas Heess, and Alex Graves. 2014. Recurrent models of visual attention. In *Proceedings of NIPS*.
- [Nallapati et al.2016] Ramesh Nallapati, Bowen Zhou, Çağlar Gulçehre, and Bing Xiang. 2016. Abstractive text summarization using sequence-to-sequence rns and beyond. *arXiv preprint arXiv:1602.06023*.
- [Ranzato et al.2016] Marc’Aurelio Ranzato, Sumit Chopra, Michael Auli, and Wojciech Zaremba. 2016. Sequence level training with recurrent neural networks.
- [Rezende et al.2014] Danilo J Rezende, Shakir Mohamed, and Daan Wierstra. 2014. Stochastic backpropagation and approximate inference in deep generative models. In *Proceedings of ICML*.
- [Rumelhart et al.1985] David E Rumelhart, Geoffrey E Hinton, and Ronald J Williams. 1985. Learning internal representations by error propagation. Technical report, DTIC Document.
- [Rush et al.2015] Alexander M Rush, Sumit Chopra, and Jason Weston. 2015. A neural attention model for abstractive sentence summarization. In *Proceedings of EMNLP*.
- [Sutskever et al.2014] Ilya Sutskever, Oriol Vinyals, and Quoc V Le. 2014. Sequence to sequence learning with neural networks. In *Proceedings of NIPS*.
- [Vinyals et al.2015] Oriol Vinyals, Meire Fortunato, and Navdeep Jaitly. 2015. Pointer networks. In *Proceedings of NIPS*, pages 2674–2682.
- [Xu et al.2015] Kelvin Xu, Jimmy Ba, Ryan Kiros, Aaron Courville, Ruslan Salakhutdinov, Richard Zemel, and Yoshua Bengio. 2015. Show, attend and tell: Neural image caption generation with visual attention.